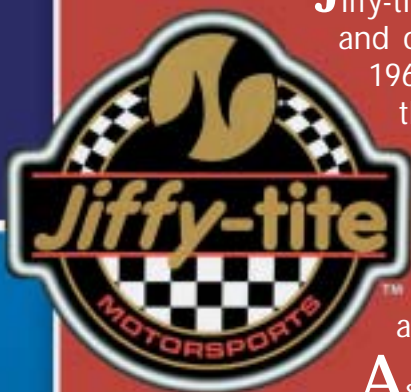




Quick-Connect Fluid Fittings



Quick-Connect Fluid Fittings



Jiffy-tite® has been the preferred manufacturer of fluid connectors for the industrial and original equipment manufacturer sector of the automotive industry since 1963. After 5 years of research and development on the track, in the lab, and on the dyno, Jiffy-tite proudly offers a full line of quick-connect fluid fittings that are second to none, with by far the quickest connection in the industry.

Jiffy-tite's revolutionary Quick-Connect Fluid Fittings provide unsurpassed performance under extreme racing conditions. Made of lightweight, high quality aircraft aluminum, brass valves, and stainless steel ball bearings, they are corrosion resistant for extra long life.

As the connector of choice since 1963 to Industrial and Original Equipment Manufacturers worldwide, Jiffy-tite's state-of-the-art Quick-Connect Fluid Fittings provide much better seal integrity than virtually any other product on the market.

2000 Series Valved Connectors

P/N	Description - Parts come standard with fluorocarbon seals	AN	NPT
21303	Socket with 37° Flared Female Adapter	3	-
21304	Socket with 37° Flared Female Adapter	4	-
21306	Socket with 37° Flared Female Adapter	6	-
22303	Plug with 37° Flared Female Adapter	3	-
22304	Plug with 37° Flared Female Adapter	4	-
22306	Plug with 37° Flared Female Adapter	6	-
21403	Socket with 37° Male Adapter	3	-
21404	Socket with 37° Male Adapter	4	-
21406	Socket with 37° Male Adapter	6	-
22403	Plug with 37° Male Adapter	3	-
22404	Plug with 37° Male Adapter	4	-
22406	Plug with 37° Male Adapter	6	-
21503	Socket with Hose Barb Adapter	3	-
21504	Socket with Hose Barb Adapter	4	-
21505	Socket with Hose Barb Adapter	5	-
21506	Socket with Hose Barb Adapter	6	-
22503	Plug with Hose Barb Adapter	3	-
22504	Plug with Hose Barb Adapter	4	-
22505	Plug with Hose Barb Adapter	5	-
22506	Plug with Hose Barb Adapter	6	-
21604	Socket with Reusable Nut Adapter	4	-
21606	Socket with Reusable Nut Adapter	6	-
22604	Plug with Reusable Nut Adapter	4	-
22606	Plug with Reusable Nut Adapter	6	-
21702	Socket with NPT Female Adapter	-	1/8"
21704	Socket with NPT Female Adapter	-	1/4"
22702	Plug with NPT Female Adapter	-	1/8"
22704	Plug with NPT Female Adapter	-	1/4"
21802	Socket with NPT Male Adapter	-	1/8"
21804	Socket with NPT Male Adapter	-	1/4"
22802	Plug with NPT Male Adapter	-	1/8"
22804	Plug with NPT Male Adapter	-	1/4"

Note: Parts are also available in non-valved fluorocarbon seals and in valved and non-valved Buna N (Nitrile) seals. See page 5 for more information.

QC 2000



P/N 21704
P/N 21606
P/N 22804
P/N 22304

2000 Series are available in -3 AN to -6 AN in numerous adapter styles. 1/8" and 1/4" NPT are available in male and female. Parts come standard with valved fluorocarbon seals and are also available non-valved.

2000 Series are also available in valved and non-valved Buna N (Nitrile) seals, which are recommended for alcohol and methanol applications.

P/N
31608



QC 3000



P/N
32508



P/N
31408



P/N
32408



3000 Series are available in -6 AN to -8 AN in numerous adapter styles. 1/4" and 3/8" NPT are available in male and female. Parts come standard with valved fluorocarbon seals and are also available non-valved.

3000 Series are also available in valved & non-valved Buna N (Nitrile) seals, which are recommended for alcohol and methanol applications.

3000 Series Valved Connectors

P/N	Description - Parts come standard with fluorocarbon seals	AN	NPT
31306	Socket with 37° Female Adapter	6	-
31308	Socket with 37° Female Adapter	8	-
32306	Plug with 37° Female Adapter	6	-
32308	Plug with 37° Female Adapter	8	-
31406	Socket with 37° Male Adapter	6	-
31408	Socket with 37° Male Adapter	8	-
32406	Plug with 37° Male Adapter	6	-
32408	Plug with 37° Male Adapter	8	-
31506	Socket with Hose Barb Adapter	6	-
31508	Socket with Hose Barb Adapter	8	-
32506	Plug with Hose Barb Adapter	6	-
32508	Plug with Hose Barb Adapter	8	-
31606	Socket with Reusable Nut Adapter	6	-
31608	Socket with Reusable Nut Adapter	8	-
32606	Plug with Reusable Nut Adapter	6	-
32608	Plug with Reusable Nut Adapter	8	-
31704	Socket with NPT Female Adapter	-	1/4"
31706	Socket with NPT Female Adapter	-	3/8"
32704	Plug with NPT Female Adapter	-	1/4"
32706	Plug with NPT Female Adapter	-	3/8"
31804	Socket with NPT Male Adapter	-	1/4"
31806	Socket with NPT Male Adapter	-	3/8"
32804	Plug with NPT Male Adapter	-	1/4"
32806	Plug with NPT Male Adapter	-	3/8"

Note: Parts are also available in non-valved fluorocarbon seals and in valved and non-valved Buna N (Nitrile) seals. See page 5 for more information.

The Jiffy-tite® Advantage

- 100% Leak Tested
- Designed Specifically for Race Applications
- Patented Design
- Plug & Socket Assembly Lighter than any in the Industry
- Lightweight, Compact
- High-Flow
- Excellent Wear Resistance
- Black & Gold Anodized
- All Aluminum Constructed of 6061-T6, Brass Valves, & Stainless Steel Ball Bearings
- 360° Swivel
- Excellent Corrosion Resistance
- Connects by Hand in Seconds
- Ribbed Collar Provides Slip Proof Use
- Wide Variety of Interchangeable Adapters
- Available for Most Fuel, Oil and Water Applications
- Made in the U.S.A.
- Replaces Any Fitting in Any Location
- Ideal for Fuel Sampling
- SCCA Accepted, NHRA & IHRA Approved

www.jiffy-tite.com





QC 5000

P/N
51610



P/N
52808

P/N
51412



P/N
52712

5000 Series Valved Connectors

P/N	Description - Parts come standard with fluorocarbon seals	AN	NPT
51308	Socket with 37° Female Adapter	8	-
51310	Socket with 37° Female Adapter	10	-
51312	Socket with 37° Female Adapter	12	-
52308	Plug with 37° Female Adapter	8	-
52310	Plug with 37° Female Adapter	10	-
52312	Plug with 37° Female Adapter	12	-
51408	Socket with 37° Male Adapter	8	-
51410	Socket with 37° Male Adapter	10	-
51412	Socket with 37° Male Adapter	12	-
52408	Plug with 37° Male Adapter	8	-
52410	Plug with 37° Male Adapter	10	-
52412	Plug with 37° Male Adapter	12	-
51510	Socket with Hose Barb Adapter	10	-
52510	Plug with Hose Barb Adapter	10	-
51610	Socket with Reusable Nut Adapter	10	-
51612	Socket with Reusable Nut Adapter	12	-
52610	Plug with Reusable Nut Adapter	10	-
52612	Plug with Reusable Nut Adapter	12	-
51706	Socket with NPT Female Adapter	-	3/8 "
51708	Socket with NPT Female Adapter	-	1/2 "
51712	Socket with NPT Female Adapter	-	3/4 "
52706	Plug with NPT Female Adapter	-	3/8 "
52708	Plug with NPT Female Adapter	-	1/2 "
52712	Plug with NPT Female Adapter	-	3/4 "
51806	Socket with NPT Male Adapter	-	3/8 "
51808	Socket with NPT Male Adapter	-	1/2 "
51812	Socket with NPT Male Adapter	-	3/4 "
52806	Plug with NPT Male Adapter	-	3/8 "
52808	Plug with NPT Male Adapter	-	1/2 "
52812	Plug with NPT Male Adapter	-	3/4 "

5000 Series are available in -8 AN, -10 AN, & -12 AN in numerous adapter styles. 3/8", 1/2" & 3/4" NPT are available in male and female. Parts come standard with valved fluorocarbon seals and are also available non-valved.

5000 Series are also available in valved & non-valved Buna N (Nitrile) seals, which are recommended for alcohol and methanol applications.

Note: Parts are also available in non-valved fluorocarbon seals and in valved and non-valved Buna N (Nitrile) seals. See page 5 for more information.

FAST and EASY TO USE:

Connects and disconnects in literally seconds without any tools.

To connect, pull back on the socket collar, insert the male plug, and release the collar.

To disconnect, pull back on the socket collar and the spring-loaded valve will release the male plug. Valved technology at both the socket and plug assembly provides a 100% leakproof seal and the ribbed collar provides a slip-proof connection.

Jiffy-tite's Quick-Connect Fluid Fittings provide minimal flow restriction for virtually any fuel, water or oil system on the market today.

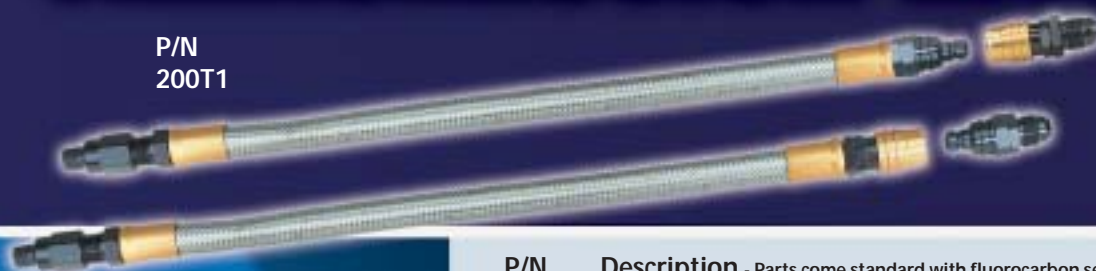


www.jiffy-tite.com

TRANSMISSION KITS



P/N
200T1



Changeovers are a breeze with the Jiffy-tite Transmission Kit. By connecting and disconnecting in seconds without any tools you can reduce your time substantially. Simply unhook the self sealing quick disconnect fittings and the job is done with no leaks or mess.

P/N	Description - Parts come standard with fluorocarbon seals	AN
200T1	Transmission Kit with 2 Reducers, 2 Steel Braided Lines, 1 Plug, 1 Socket	6
200T2	Transmission Kit with 2 Steel Braided Lines, 2 Reducers	6
200T3	Transmission Kit Assembly with 2 - 45° Elbows (1/8" NPT), 2 Plugs, 2 Sockets	6
200T4	Transmission Kit Assembly with 2 - 45° Elbows (1/4" NPT), 2 Plugs, 2 Sockets	6

Note: All kits come standard valved

The Jiffy-tite Transmission Kits are available to fit virtually all transmissions.

CARBURETOR KITS



P/N
200C1



P/N	Description - Parts come standard with fluorocarbon seals	AN	*TYPICAL APPLICATION
200C1	7/8" - 20 UNEF Carb Kit, 2 Plugs, 2 Sockets	6	Holley® Dominator
220C1	7/8" - 20 UNEF Carb Plug, Includes 2 Plugs & 2 Washers	6	Holley® Center Pivot
200C4	9/16"- 24 UNEF Carb Kit, 2 Plugs, 2 Sockets	6	Holley® Single Feed, Demon™, King Demon™
220C4	9/16"- 24 UNEF Carb Plug, Includes 2 Plugs & 2 Washers	6	
200C7	5/8" - 20 UNEF Carb Kit, 2 Plugs, 2 Sockets	6	Carter® Two & Four Barrels
220C7	5/8" - 20 UNEF Carb Plug, Includes 2 Plugs & 2 Washers	6	
300C1	7/8" - 20 UNEF Carb Kit, 2 Plugs, 2 Sockets	8	Holley® Dominator
320C1	7/8" - 20 UNEF Carb Plug, Includes 2 Plugs & 2 Washers	8	Holley® Center Pivot
300C4	9/16"- 24 UNEF Carb Kit, 2 Plugs, 2 Sockets	8	Holley® Single Feed, Demon™, King Demon™
320C4	9/16"- 24 UNEF Carb Plug, Includes 2 Plugs & 2 Washers	8	
300C7	5/8" - 20 UNEF Carb Kit, 2 Plugs, 2 Sockets	8	Carter® Two & Four Barrels
320C7	5/8" - 20 UNEF Carb Plug, Includes 2 Plugs & 2 Washers	8	

Note: Above p/n's are also available with Buna N (Nitrile) seals. Aluminum washers included. All kits come standard valved.

*This is not exclusive to brands listed above - refer to your carburetor manufacturer for accurate thread sizes.

Holley® is a registered trademark of Holley Performance Products, Inc.
Demon™ is a registered trademark of Barry Grant, Inc.
Carter® is a registered trademark of Federal Mogul Corp.

Tech Tip

For Alcohol & Methanol Applications use Buna N (Nitrile) Seals



PART NUMBERS

QC Series P/N System

SERIES	SOCKET/PLUG	ADAPTER DESCRIPTION (Parts come standard valved)	AN/NPT	OTHER
0 = Other 2 = 2000 Series 3 = 3000 Series 5 = 5000 Series 6 = 6000 Series (Coming Soon)	0 = Other 1 = Socket 2 = Plug	0 = Other 1 = Hose barb adapter for steel-braided Teflon® hose (Coming Soon) 2 = Reusable nut design for steel-braided Teflon® hose (Coming Soon) 3 = 37° flare female threaded AN design 4 = 37° flare male threaded AN design 5 = Hose barb adapter design for standard steel-braided rubber hose 6 = Reusable nut design for standard steel-braided rubber hose 7 = NPT female threaded design 8 = NPT male threaded design 9 = UNEF male plug design	XX = AN dash size, or NPT thread size	A = Non-valve B = Buna N (Nitrile) seal C = Non-valve Buna N (Nitrile) seal

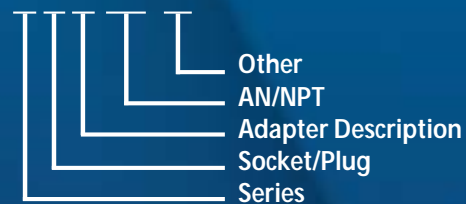
Examples:

- 51510 = 5000 Series socket assembly with hose barb adapter for use with standard steel-braided rubber hose, -10 AN
- 32606 = 3000 Series plug assembly with reusable nut design for use with standard steel-braided rubber hose, -6 AN
- 22104 = 2000 Series plug assembly with hose barb adapter for use with steel-braided Teflon® hose, -4 AN
- 21804 = 2000 Series socket assembly with 1/4" male NPT thread
- 22804A = 2000 Series plug assembly with 1/4" male NPT thread, non-valved
- 31408B = 3000 Series socket assembly with 37° flared male adapter, -8 AN, with Buna N (Nitrile) seals
- 52612C = 5000 Series plug assembly with reusable nut design, -12 AN, non-valved, with Buna N (Nitrile) seals

Teflon® is a registered trademark of Dupont

Jiffy-tite Quick-Connects are Available from Your Performance Parts Retailer

51510 A



Notes:

All 2000, 3000 & 5000 parts are available non-valved. They are also available in Buna N (Nitrile) seals for methanol and alcohol applications.

To order non-valved: Add A to end of P/N
ex. 51308A

To order valved Buna N (Nitrile) seal:
Add B to end of P/N
ex. 21303B

To order non-valved Buna N (Nitrile) seal:
Add C to end of P/N
ex. 32704C

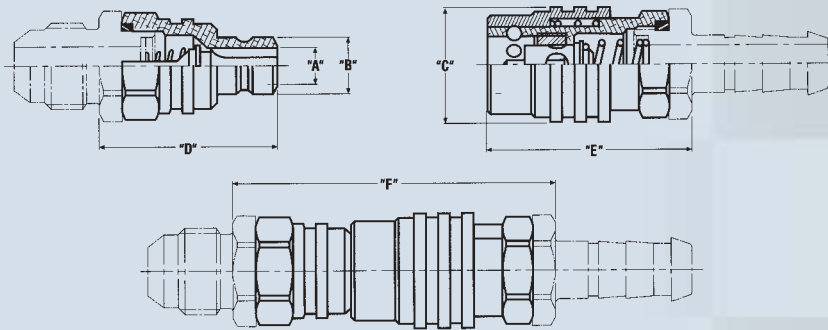


www.jiffy-tite.com

TECHNOLOGY



DIMENSIONS

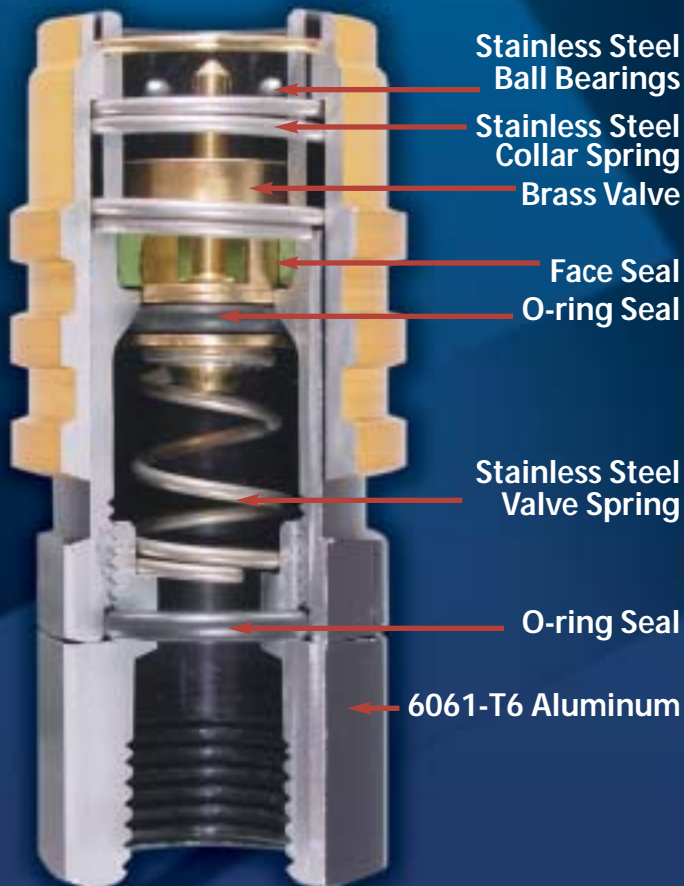


inches	SERIES	"A "	"B "	"C "	"D "	"E "	"F "
	2000	Ø.24	Ø.37	Ø.75	1.68 MAX.	1.86 MAX.	3.13 MAX.
	3000	Ø.37	Ø.53	1.03	2.01 MAX.	2.34 MAX.	3.74 MAX.
	5000	Ø.59	Ø.78	1.37	2.69 MAX.	3.06 MAX.	5.25 MAX.

Pressure/Temp

Maximum Operating
Pressure - 200 psi
Temperature 0 - 350° Fahrenheit

Internal View of a Standard Jiffy-tite Socket



Flow Information

Inlet pressure and flow through a 3 foot long -6 AN hose with valved Jiffy-tite Quick-Connect Fluid Fittings:

2000 SERIES	Pressure in psi	Jiffy-tite Valved Flow GPM
	5	1.75
	10	2.32
	20	3.16
	30	4.08
	40	4.23
	50	4.67
	60	5.10

Inlet pressure and flow through a 2 foot long -8 AN hose with valved Jiffy-tite Quick-Connect Fluid Fittings using standard stoddard solvent with a specific gravity of .750 and 80° fluid temperature:

3000 SERIES	Pressure in psi	Jiffy-tite Valved Flow GPM
	5	4.34
	10	5.31
	20	6.83
	30	8.24
	40	9.49
	50	10.50
	60	11.45

Inlet pressure and flow through a 2 foot long -10 AN hose with valved Jiffy-tite Quick-Connect Fluid Fittings:

5000 SERIES	Pressure in psi	Jiffy-tite Valved Flow GPM
	5	7.86
	10	10.64
	20	14.60



Our mission is to ensure our company's long-term success by thoroughly delighting our customers with innovative and quality solutions that are continuously improved, and second to none.

We will achieve this mission with harmonious teamwork among employees, customers, and suppliers.

The achievement of our mission will be determined by our customers' success through using our products and services and the degree to which the company, employees and suppliers are enriched.

Jiffy-tite Company, Inc. Motorsports Disclaimer

Jiffy-tite Co., Inc. disclaims all warranties, expressed or implied, oral or written, to the purchaser or any other person, including without limitation any implied warranties of merchantability or fitness for a particular purpose, except to the extent that any warranties implied by law cannot be waived. Under no circumstances shall Jiffy-tite be liable to you or any other person for special, incidental, consequential, direct or indirect damages, loss or injury arising from the use of its products. Racing is a dangerous activity. The user shall determine the suitability and safety of the product for its intended use, and the user assumes all responsibility and risk in connection therewith.



4437 Walden Avenue
Lancaster, NY 14086
888-605-7788

www.jiffy-tite.com

